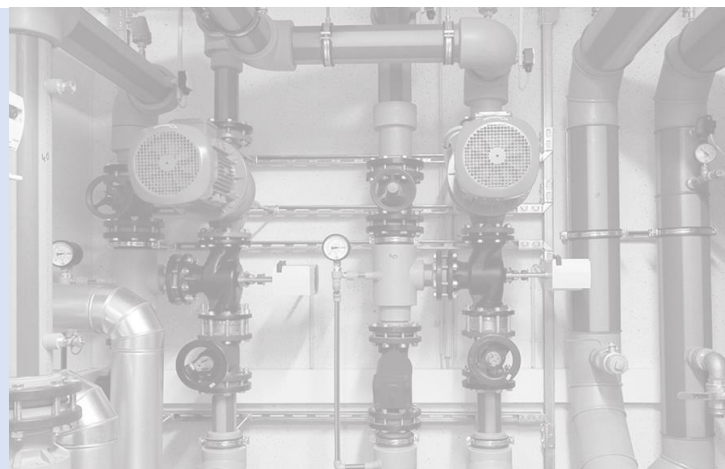


# AIR OPERATED TENSIONER PUMPS DATASHEET



Specialists in Manufacturing, Supplying and  
Renting Hydraulic Equipment

## AIR OPERATED TENSIONER PUMPS



Diamond Range  
Diamond Pro Range  
Diamond Pro Max Range

Our air operated tensioner pump range has been designed to ensure the highest quality in the field. The framework and pipework are all stainless steel as standard ensuring the best possible resistance to corrosion.

There are 3 models in the range which cater for various flows and pressures to allow for a product suitable for all tensioning applications.

The pumps have been designed to minimise service time by moving the air seals externally, ensuring downtime is kept to an absolute minimum.

### Key Features

- ✓ 1,500 Bar (21,750psi) / 2,500 Bar (36,250psi) hydraulic pressure options
- ✓ Air Relief Valve to limit pressure
- ✓ Stainless Steel Frame as standard
- ✓ Stainless Steel pipework as standard
- ✓ 7.5 litre tank
- ✓ 6" Dual Scale Gauge
- ✓ Regulator for repetitive pressures
- ✓ QUICK-SERVICE design



Manufactured in the UK

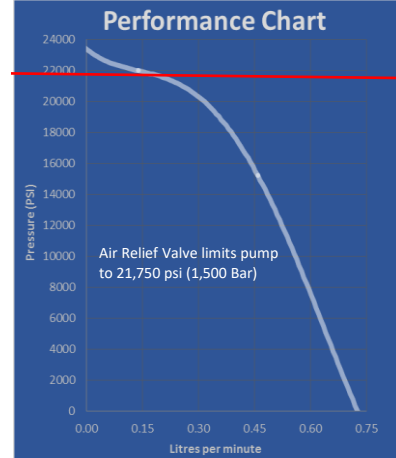
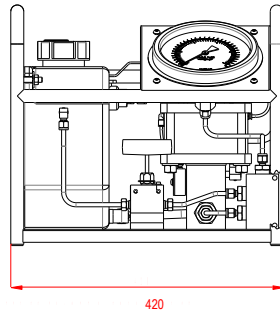
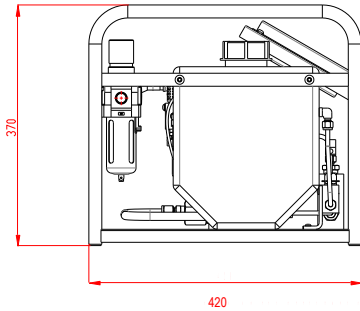


## D-1500



### Diamond Tensioner Pump

Pump Model Number	Max Outlet Pressure PSI (BAR) Based on 100 PSI air drive	Max Flow Rate LTR/MIN (CU.IN./MIN)	Liquid Port Inlet	Liquid Port Outlet	Air Inlet Port
<b>Diamond</b>					
D-1500	23,100 (1,500)	0.71 (44)	NA	1/4" HP	3/8" BSP(F)

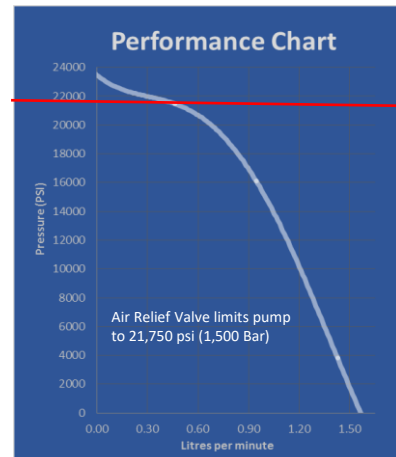
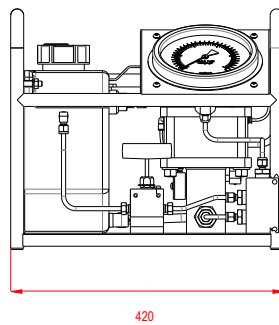
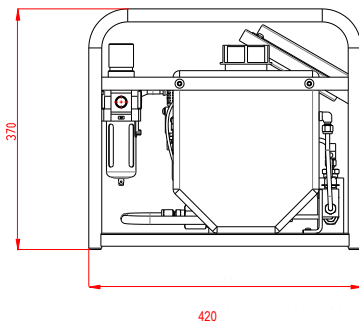


## DP-1500



### Diamond Pro Tensioner Pump

Pump Model Number	Max Outlet Pressure PSI (BAR) Based on 100 PSI air drive	Max Flow Rate LTR/MIN (CU.IN./MIN)	Liquid Port Inlet	Liquid Port Outlet	Air Inlet Port
<b>Diamond Pro</b>					
DP-1500	23,100 (1,500)	1.51 (92)	NA	1/4" HP	3/8" BSP(F)

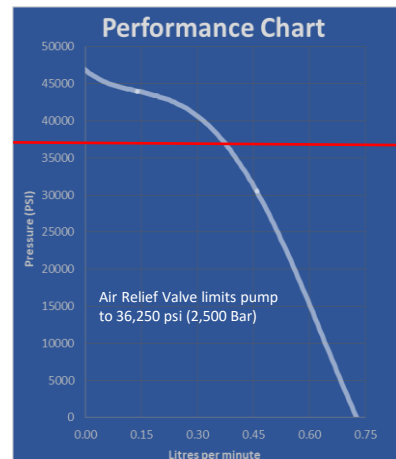
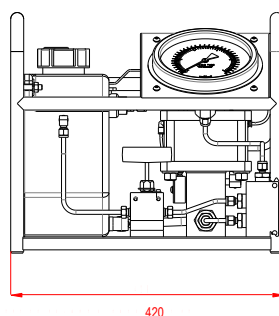
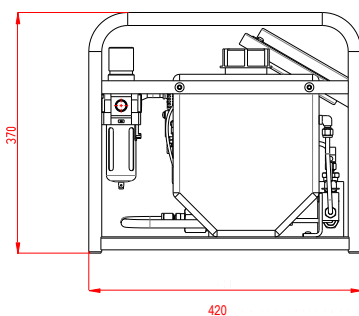


## DPM-2500



### Diamond Pro Max Tensioner Pump

Pump Model Number	Max Outlet Pressure PSI (BAR) Based on 100 PSI air drive	Max Flow Rate LTR/MIN (CU.IN./MIN)	Liquid Port Inlet	Liquid Port Outlet	Air Inlet Port
<b>Diamond Pro Max</b>					
DPM-2500	36,250 (2,500)	0.71 (44)	NA	1/4" HP	3/8" BSP(F)





## Company Profile

GD Hydraulics are a manufacturer who specialise in sale, service, rental and repair of Hydraulic and Gas Pressure Testing, Flushing & Control Systems.

G-D Hydraulics offer equipment which includes:

- **Air Operated Tensioner Pumps**
- **Air Operated Hydraulic Power Packs (HPUs)**
- **Hose Test Rigs**
- **Cycle Test Rigs**
- **Valve Test Benches**
- **Flushing Rigs**
- **Hydraulic Power Units – Electric Driven**
- **Hydraulic Control Panels**
- **Pressure Logging Equipment**
- **Manifolds**
- **Hose Reels & Hoses**

Our standard products are relevant over numerous industry sectors and can be used for a wide number of applications. We also offer a custom built manufacture service for those jobs that need specific and bespoke requirements.

Our manufacturing facility in Manchester allows us to build and test all equipment to ensure it reaches our customers in top quality condition.

We are committed to manufacturing the best equipment possible to allow our customers operations to run as smoothly as possible.

## Specialists in Manufacturing, Supplying and Renting Hydraulic Equipment

### Company Information:

**GD Hydraulics**  
Unit 6B Wilsons Park,  
Wilsons Industrial Estate,  
Monsall,  
Manchester,  
M40 8WN

Phone: +44 161 643 6768  
Email: [sales@g-dhydraulics.com](mailto:sales@g-dhydraulics.com)

Specialists in Manufacturing, Supplying and  
Renting Hydraulic Equipment